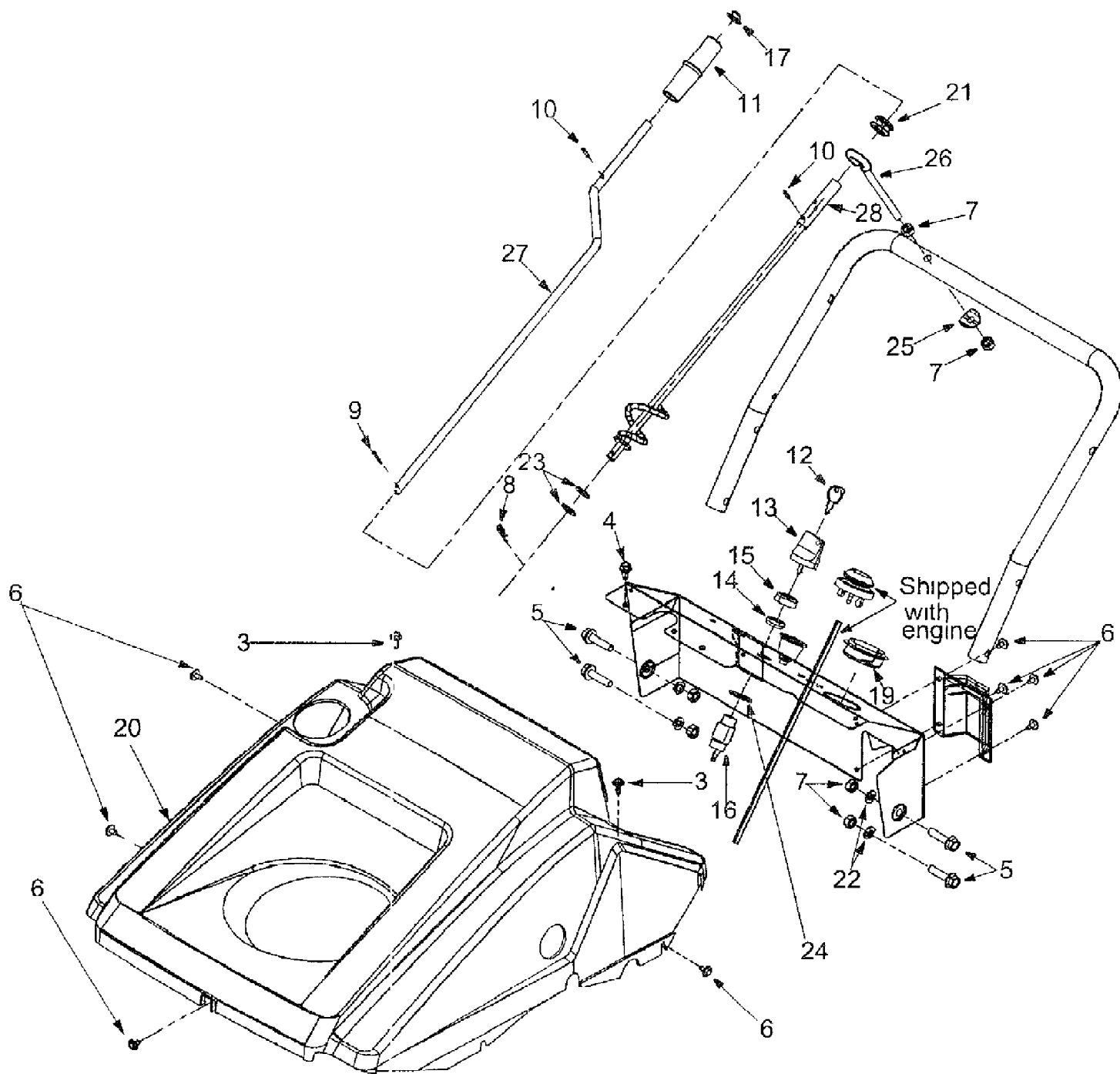


31A-152-190 Snow Boss 45 (2001)
Chute Assembly

Page 2 of 10

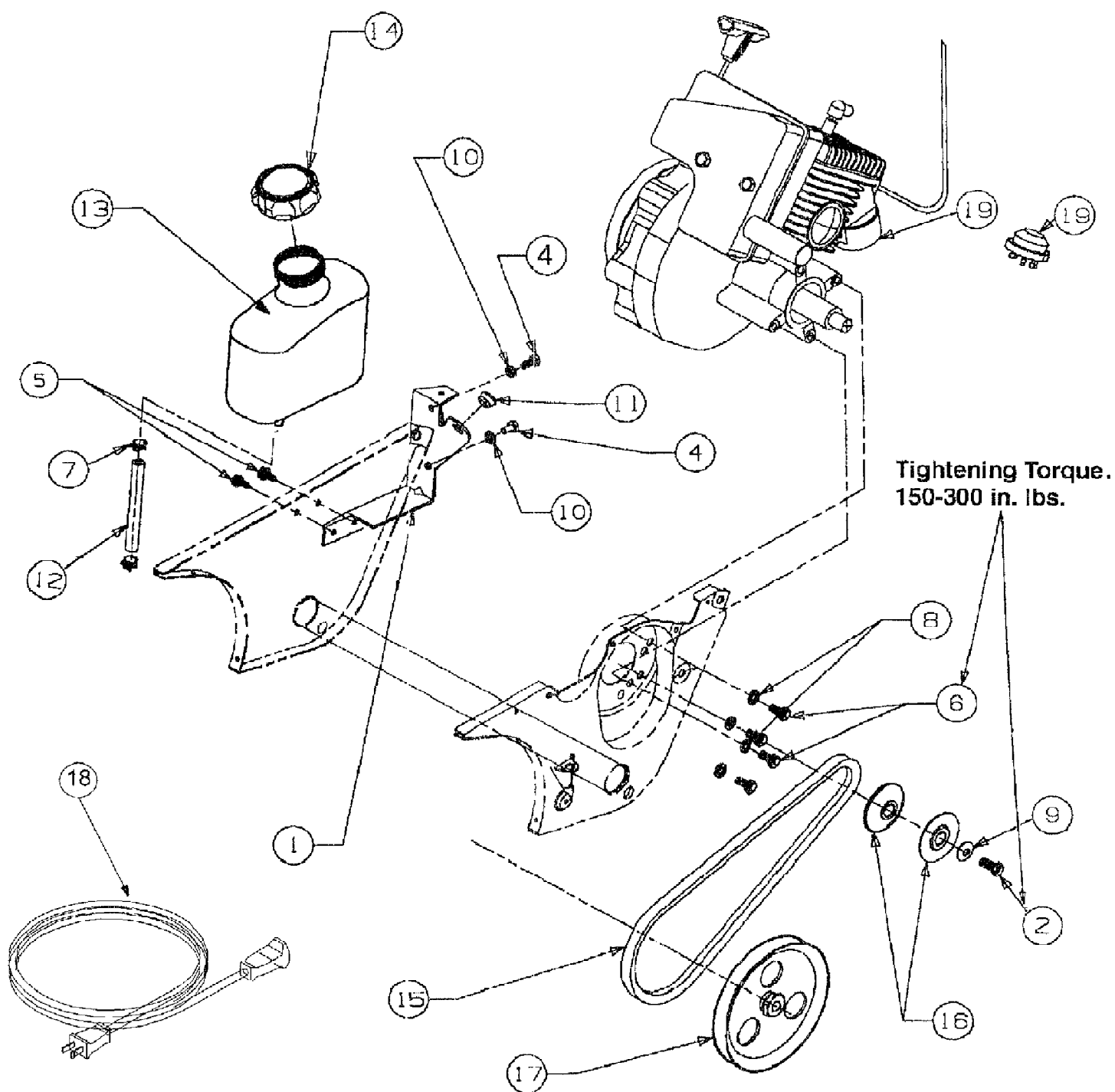
Ref #	Part Number	Qty	S/P/F	Description
1	710-0276	1	/P	Carriage Screw 5/16-18 x 1.0"
2	710-0451	1	/P	Carriage Bolt 5/16-18 x 0.75"
3	710-3015	1	/P	Hex Screw 1/4-20 x 0.75"
4	712-0429	1	S	Hex Lock Nut
5	712-3027	1	S	Flanged Lock Nut
6	720-0284	1	S	Knob
7	731-0851A	1	/P	Chute Flange Keeper
8	731-0915B	1	S	Lower Chute
9	731-0921	1	S	Upper Chute
10	736-0159	1	S	Washer



31A-152-190 Snow Boss 45 (2001)
Controls And Shroud

Page 4 of 10

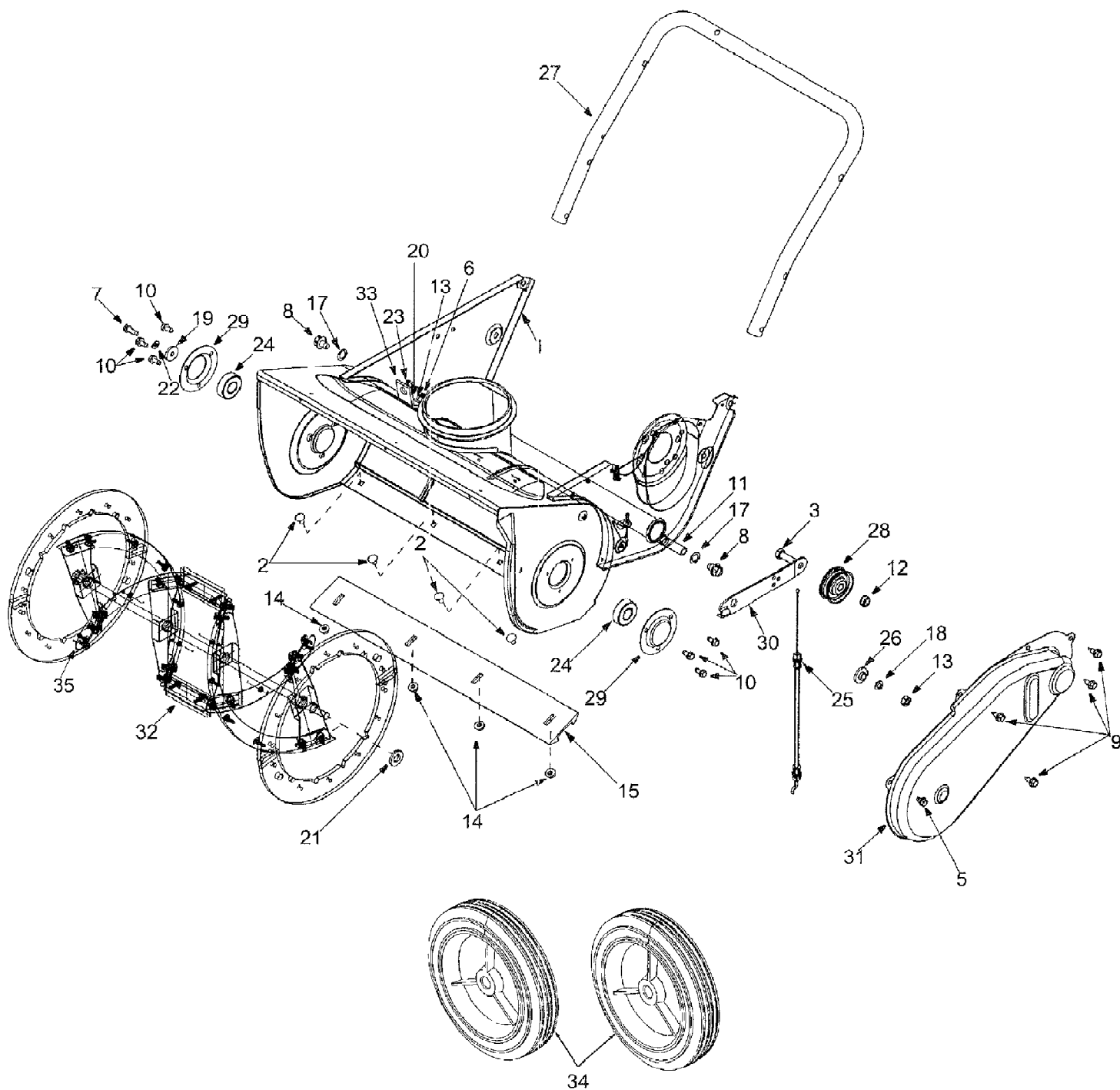
Ref #	Part Number	Qty	S/P/F	Description
?1	684-0054	1	S	Dash: 21" Mitten Panel Assy
?2	684-0126	1	S	Chute Crank Assembly
3	710-1003	1	/P	Special Screw
4	710-1005	1	S	B Screw 1/4-14 x 0.5"
5	710-1090	1	/P	Hex Flange Screen,
6	710-1268	1	/P	Special Screw
7	712-3010	1	S	Hex Nut 5/16-18
8	714-0104	1	S	Cotter Pin
9	714-0507	1	S	Cotter Pin
10	715-0138	1	S	Roll Pin
11	720-0201A	1	/P	Chute Crank Knob
12	725-0201	1	S	Ignition Key
13	725-13418	1		Ignition Key w/o Logo
14	725-1346	1	S	Ignition Switch Nut
15	725-1347	1	/P	Ignition Switch Cap
16	725-1425	1	S	Switch Key Recoil Start
17	726-0100	1	S	Push Cap
?18	731-1089A	1	/P	Choke Cover
19	731-1133B	1	S	Cap
20	731-1551A	1		Engine Shroud Grey
21	735-0234	1		Rubber Grommet
22	736-0119	1	S	Lock Washer
23	736-0185	1	S	Flat Washer
24	736-0225	1	/P	Internal Lock Washer
25	736-0451	1	S	Saddle Washer
26	747-0697	1	/P	Eye Bolt
27	747-0737	1	S	Chute Crank Upper
28	750-0785	1	S	Spacer



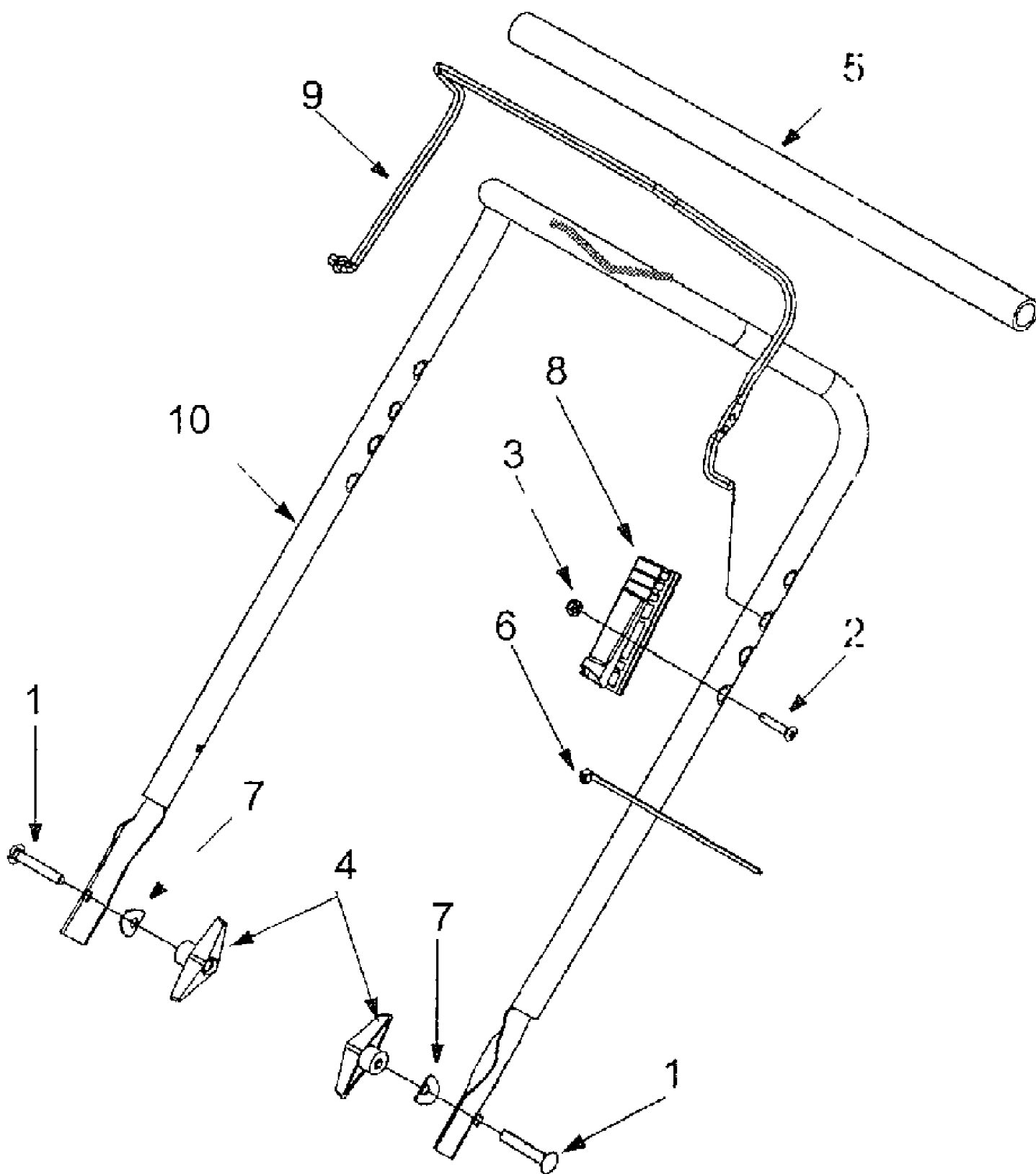
31A-152-190 Snow Boss 45 (2001)
Drive And Fuel Tank

Page 6 of 10

Ref #	Part Number	Qty	S/P/F	Description
1	705-5139	1		Support Bracket, Gas Tank
2	710-0157	1	/P	Hex Cap Screw 5/16-24 x 0.75"
4	710-3013	1	/P	Hex Screw 1/4-20 x 0.50"
5	710-0896	1	/P	Washer Screw 1/4-14 x 0.625"
6	710-3025	1	/P	Hex Cap Screw 5/16-24 x 0.625"
7	726-0205	1	/P	Hose Clamp
8	736-0119	1	S	Lock Washer
9	736-0242	1	/P	Bell Washer
10	736-0329	1	S	Lock Washer
11	741-0475	1	S	Plastic Bushing
12	751-0535-16	1	S	Hose, Fuel Line-16"
13	751-0540A	1	/P	Fuel Tank-2 qt.
14	751-0800	1	/P	Fuel Cap
15	754-0101A	1	S	V-Belt
16	756-0416B	1	S	V-Pulley Half
17	756-0475	1	/P	V-Pulley Half
18	629-0236	1	/P	Cord, Extension (SB-55)
19		1		Obtain from engine manufacturer



Ref #	Part Number	Qty	S/P/F	Description
1	684-0114	1	S	Auger Housing Assembly
2	710-0167	1	/P	Carriage Screw 1/4-20 x 0.5"
3	710-0191	1	/P	Special Screw 3/8-24 x 1.25" Gr8
?4	710-0323	1	/P	Truss Mach. Screw 5/16-18 x 0.75"
5	710-0352	1	/P	Hex Screw 1/4-14 x 0.375"
6	710-0451	1	/P	Carriage Bolt 5/16-18 x 0.75"
7	710-0642	1	/P	Hex TT Screw 1/4-20 x 0.75"
8	710-0773	1		Hex TT Screw 3/8-16 x 0.5"
9	710-0896	1	/P	AB Screw 1/4-14 x 0.625"
10	710-1005	1	S	B Screw 1/4-14 x 0.5"
11	711-0848A	1	S	Axle Tube
12	712-0116	1	S	Jam Nut
13	712-3010	1	S	Hex Nut
14	712-3027	1	S	Hex Flange Lock Nut
15	731-1033	1	/P	Shave Plate
?16	732-0357A	1	S	Extension Spring
17	736-0108	1	S	Flat Washer
18	736-0119	1	S	Lock Washer
19	736-0176	1	S	Flat Washer
20	736-0242	1	/P	Belleville Washer
21	736-0326	1	S	Flat Washer
22	736-0329	1	S	Lock Washer
23	741-0475	1	S	Bushing
24	741-0600	1	S	Ball Bearing
25	746-0910A	1	S	Clutch Cable
26	748-0234	1	/P	Spacer
27	749-0796	1	S	Lower Handle
28	756-0313	1	/P	Idler Flat
29	784-5174	1	S	Bearing Cup
30	784-5175B	1	S	Idler Bracket Brake
31	784-5176	1		Belt Cover
32	784-5485	1	S	Auger Assembly
33	784-5720	1	S	Bracket Chute Crank
34	734-1797	1	/P	Wheel Assembly Grey
35	753-0613	1		Auger Rubber Replacement



31A-152-190 Snow Boss 45 (2001)
Handle Assembly

Page 10 of 10

Ref #	Part Number	Qty	S/P/F	Description
1	710-0487	1	/P	Carriage Screw 5/16-18 x 2.0
2	710-1270	1		Oval C-Sunk Screw 1/4-20 x 1.31
3	712-0324	1	/P	Hex Lock Nut 1/4-20
4	720-0284	1	S	Handle Knob
5	720-0295	1	/P	Foam Grip Handle
6	725-0157	1	/P	Cable Tie
7	736-0451	1	S	Saddle Washer
8	746-0883	1		Cable Housing
9	747-0956	1		Auger Handle Gull Wing
10	749-0711A	1		Upper Handle Gull Wing